

6

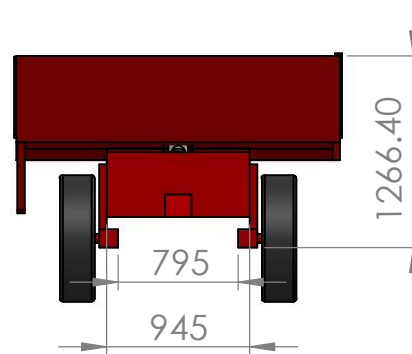
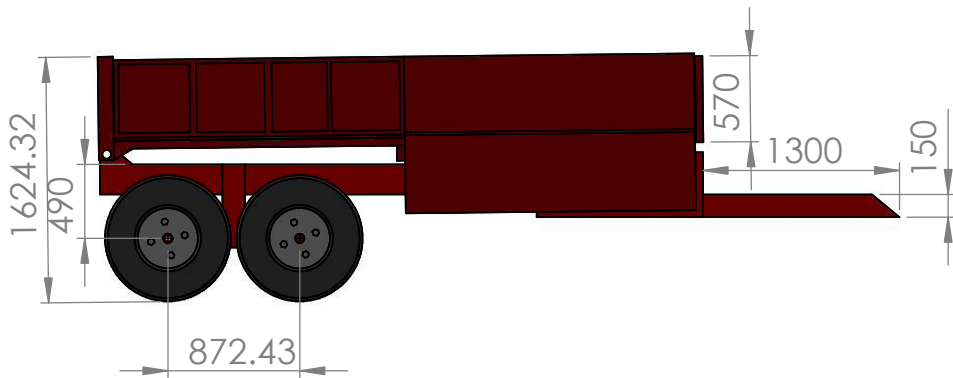
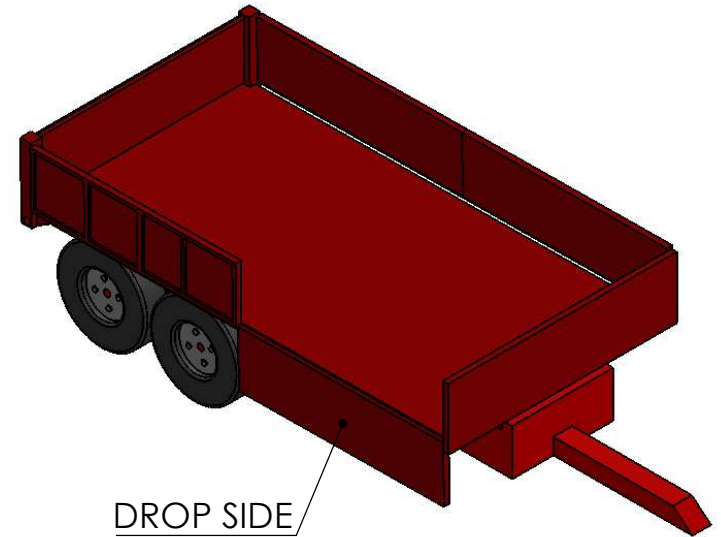
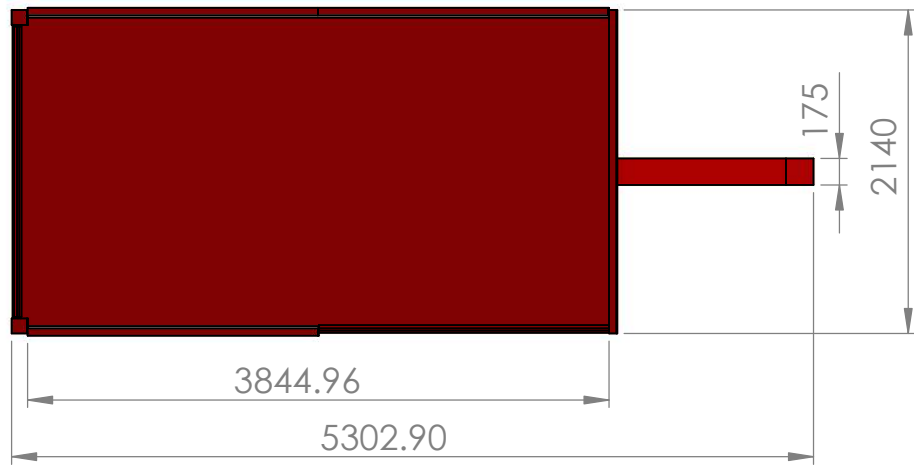
5

4

3

2

1



BUILT STRONGER TO LAST LONGER

MATERIAL:

WEIGHT:

DO NOT SCALE DRAWING

REVISION

TITLE: JPM

DWG BY = MISTRI UMANG.

A4

SCALE:1:100

6

5

4

3

2

1